

Exceeding 98% Efficiency in a Compact 48 V to 12 V, 900 W LLC Resonant Converter Using eGaN® FETs



Motivation

The rapid expansion of the computing and telecommunication market is demanding an ever more compact, efficient and high power density solution for intermediate bus converters. The LLC resonant converter is a remarkable candidate to provide a high power density and high efficiency solution. eGaN FETs with their ultra-low on-resistance and parasitic capacitances, benefit LLC resonant converters by significant loss reduction that is challenging when using Si MOSFETs. A 48 V to 12 V, 900 W, 1 MHz LLC DC to DC transformer (DCX) converter employing eGaN FETs such as EPC2053 and EPC2024 is demonstrated, yielding a peak efficiency of 98.4% and a power density exceeding 1500 W/in³.

High performance LLC DCX

The power architecture schematic of a 4:1 conversion ratio LLC operated as a DCX is shown in figure 1 and comprises a full-bridge primary and center-tapped secondary with synchronous rectifier. The transformer is composed of a parallel connected 2x matrix with each unit having a conversion ratio of 4:1:1 that ensures low winding loss, low interconnect inductance, and low profile. All switches can operate in zero voltage switching (ZVS), allowing for high-frequency operation with high efficiency across nearly the entire load power range. Parallel connected synchronous rectifier devices are used to further reduce conduction loss.

High performance eGaN FETs for the LLC converter

eGaN FETs are well suited for LLC converters due to their low gate charge (Q_G) with 5 V gate operation that combined yields very low gate power consumption, low on-resistance compared to equivalent MOSFETs, and low output capacitance charge (Q_{OSS}). The lower output charge reduces the ripple current in the transformer by two mechanisms: 1) lower energy required for the LLC resonant tank and, 2) increased effective duty cycle. EPC2053 and EPC2024, shown in figure 2, were selected for the primary and secondary-side power devices respectively. EPC2053 is rated at 100 V with 4 mΩ on-resistance, and is capable of carrying a continuous current of 32 A. EPC2024 is rated at 40 V with 1.5 mΩ on-resistance, and is capable of carrying a continuous current of 90 A. Both eGaN FETs can operate at up to 150°C junction temperature.

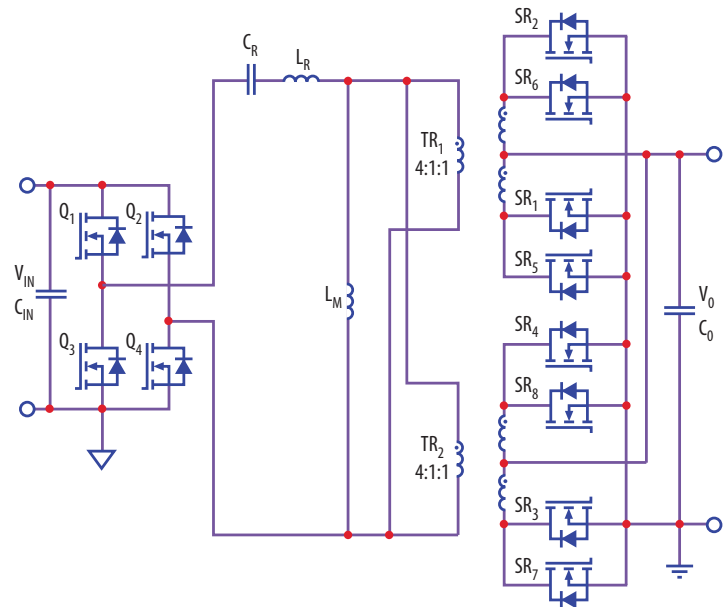


Figure 1: Power architecture schematic of the 900 W, 48 V to 12 V LLC

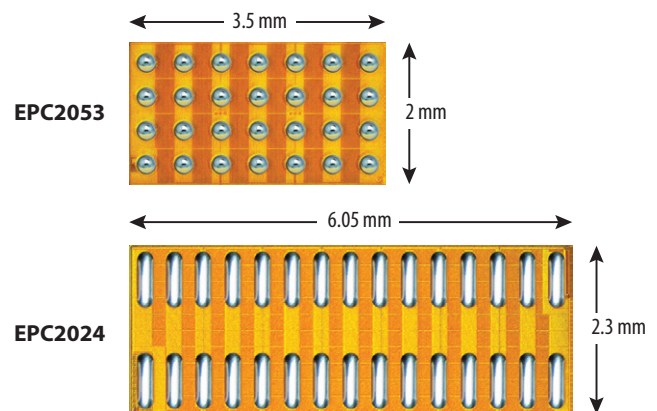


Figure 2: Photo of the bump side of EPC2053 (top) and EPC2024 (bottom)

Experimental validation

A 4:1 ratio, 900 W capable LLC configured as a DCX, was built using EPC2053 for the primary-side switches (Q1-Q4) and EPC2024 for the secondary-side synchronous rectifiers (SR1-SR8, with SR5-SR8 on the bottom side of the board) shown in figure 3. The board included an embedded 2x matrix transformer on the 14-layer board with a two pole core.

The measured switching waveforms, at full power and 48 V input are shown in figure 4. Perfect ZVS was achieved as evident by the absence of overshoot and ringing on both primary and secondary side devices.

The efficiency as function of output power for 40 V, 48 V, and 60 V input voltages is plotted in figure 5. It demonstrates that the LLC converter has a peak efficiency of 98.4% and 98.3% at 60V and 48V input respectively, and maintains high efficiency over a wide operating range.

The thermal performance of the LLC converter operating at 54 V input, 900 W load, and with an air flow of 400 LFM, is shown in figure 6. The excellent thermal performance achieved shows that all major component temperatures are far below their maximum operating limits.

Conclusions

A 48 V to 12 V LLC intermediate bus converter built using eGaN FETs capable of delivering 900 W had an experimental efficiency exceeding 98%. The low gate capacitance, low output charge and low on-resistance of the eGaN FETs were key to achieving this at a power density exceeding 1500 W/in³.

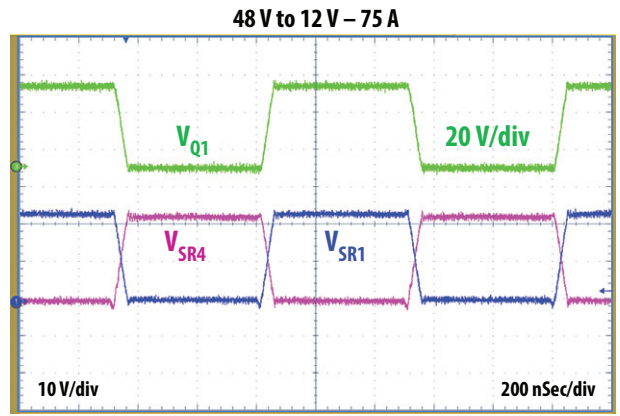


Figure 4: Switching waveforms at 48 V input voltage and 900 W load condition

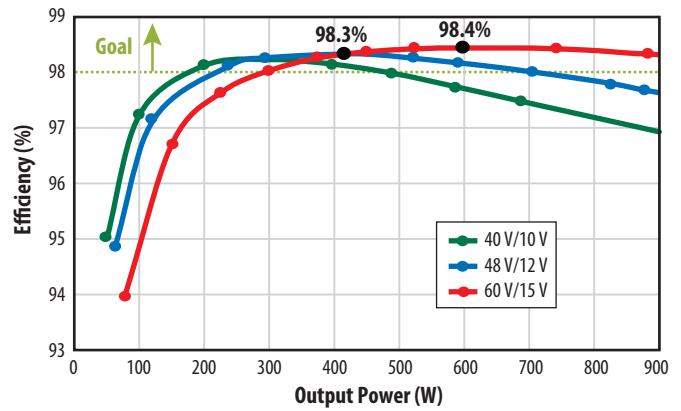


Figure 5: Power efficiency as function of output power at 40 V, 48 V, and 60 V input voltage

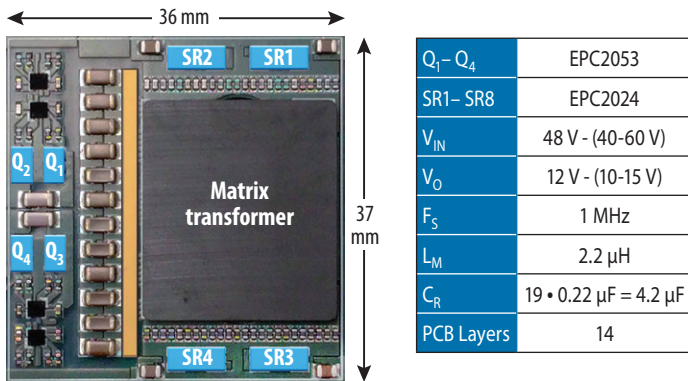


Figure 3: A 4:1 ratio, 900 W, LLC DCX using EPC2053 and EPC2024

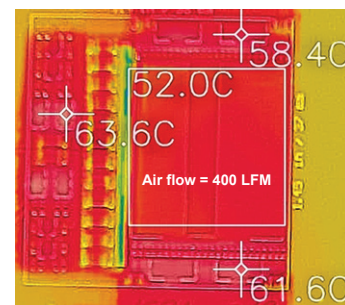


Figure 6: Thermal image of the LLC converter operating at 54 V input and 900 W load



For More Information

Please contact info@epc-co.com or your local sales representative

Visit our website: epc-co.com

Sign-up to receive EPC updates at bit.ly/EPCupdates or text "EPC" to 22828



eGaN is a registered trademark of Efficient Power Conversion Corporation