

EPC2014 SPICE Thermal Model

$R_{\theta JB}$, $R_{\theta JC}$

EPC2014 $R_{\theta JB}$ SPICE Thermal Model

$$CTHERM1 \text{ th } 5 = 0.010$$

$$CTHERM2 \text{ 5 } 4 = 0.090$$

$$CTHERM3 \text{ 4 } 3 = 0.029$$

$$CTHERM4 \text{ 3 } 2 = 0.014$$

$$CTHERM5 \text{ 2 } \text{tl} = 0.0022$$

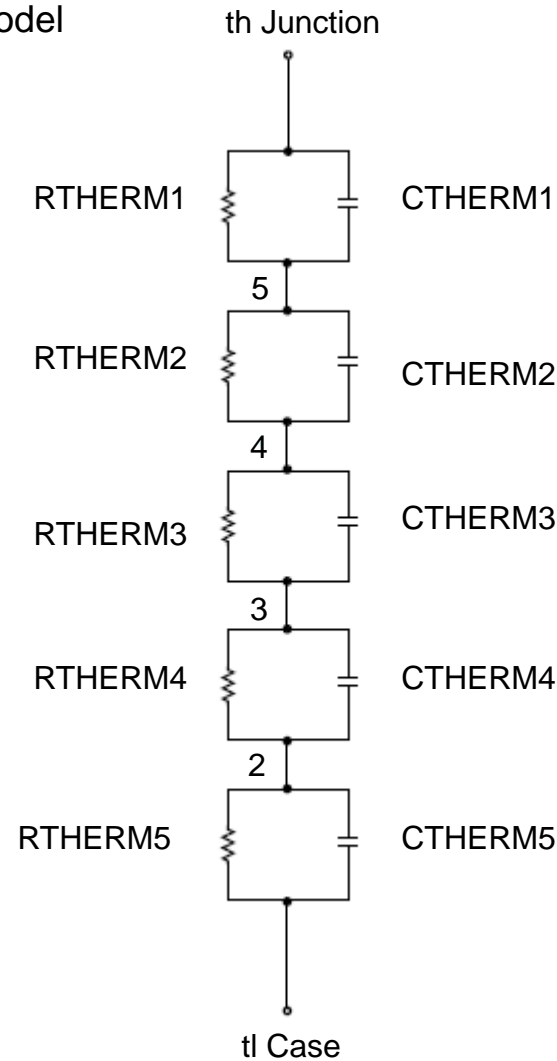
$$RTHERM1 \text{ th } 5 = 14.421$$

$$RTHERM2 \text{ 5 } 4 = 10.667$$

$$RTHERM3 \text{ 4 } 3 = 5.333$$

$$RTHERM4 \text{ 3 } 2 = 1.365$$

$$RTHERM5 \text{ 2 } \text{tl} = 0.213$$



EPC2014 $R_{\theta JC}$ SPICE Thermal Model

Typical $R_{\theta JC} = 6.9^{\circ} \text{ C/W}$

$$CTHERM1 \text{ th } 6 = 0.00270$$

$$CTHERM2 \text{ 6 } 5 = 0.02200$$

$$CTHERM3 \text{ 5 } 4 = 0.03500$$

$$CTHERM4 \text{ 4 } 3 = 0.00070$$

$$CTHERM4 \text{ 3 } 2 = 0.00002$$

$$CTHERM5 \text{ 2 tl } = 0.00016$$

$$R_{THERM1} \text{ th } 6 = 3.20$$

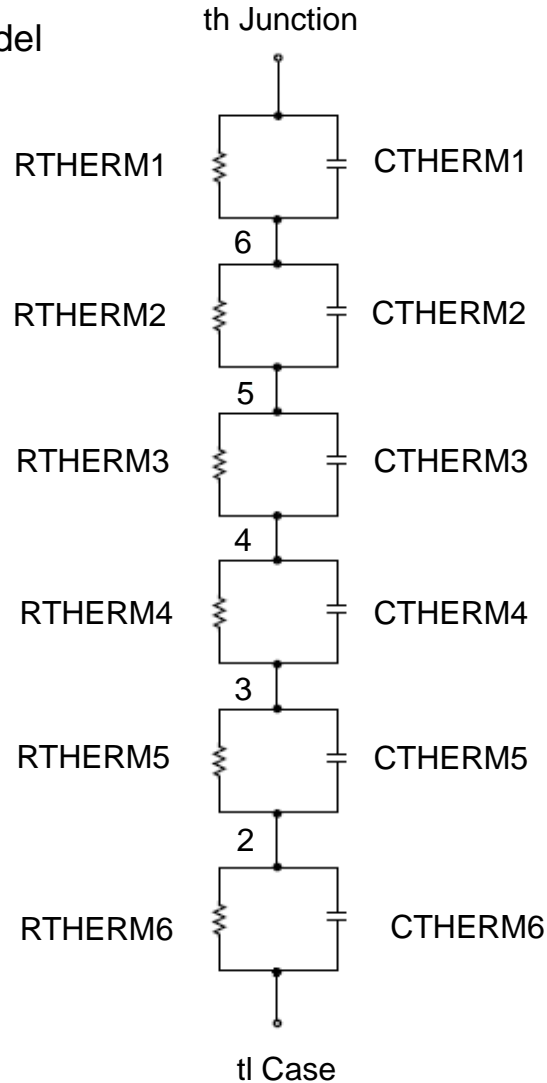
$$R_{THERM2} \text{ 6 } 5 = 1.80$$

$$R_{THERM3} \text{ 5 } 4 = 1.10$$

$$R_{THERM4} \text{ 4 } 3 = 0.610$$

$$R_{THERM5} \text{ 3 } 2 = 0.040$$

$$R_{THERM5} \text{ 2 tl } = 0.150$$





*The end of the road
for silicon.....*

*is the beginning of
the eGaN FET
journey!*

