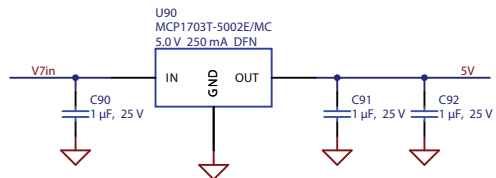
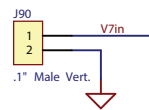


Logic Supply
7.5VDC - 12VDC

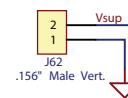


Logic Supply Regulator



Single Supply Configuration

Main Supply



Oscillator input

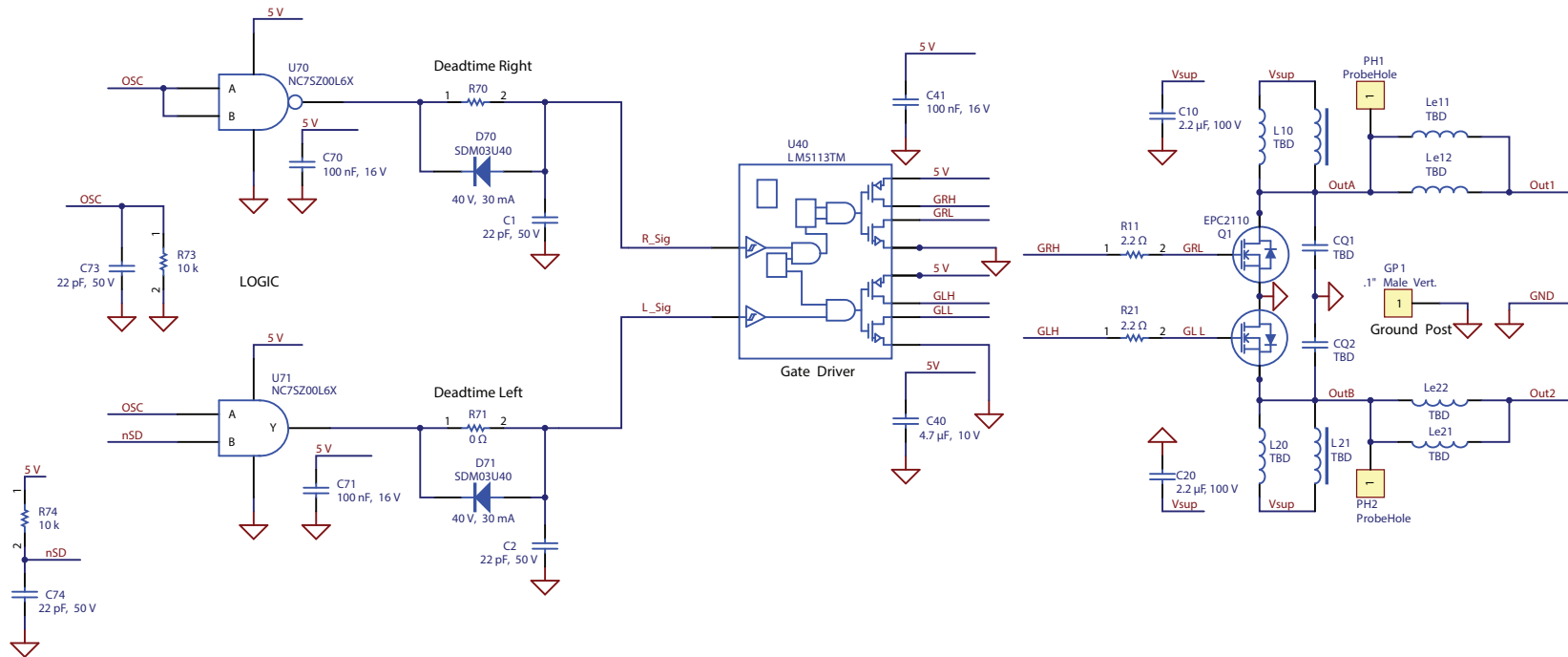
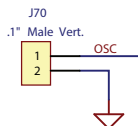


Figure 7: EPC9058 Class-E amplifier schematic.