

Figure 13: EPC9129 - ZVS class-D amplifier schematic.

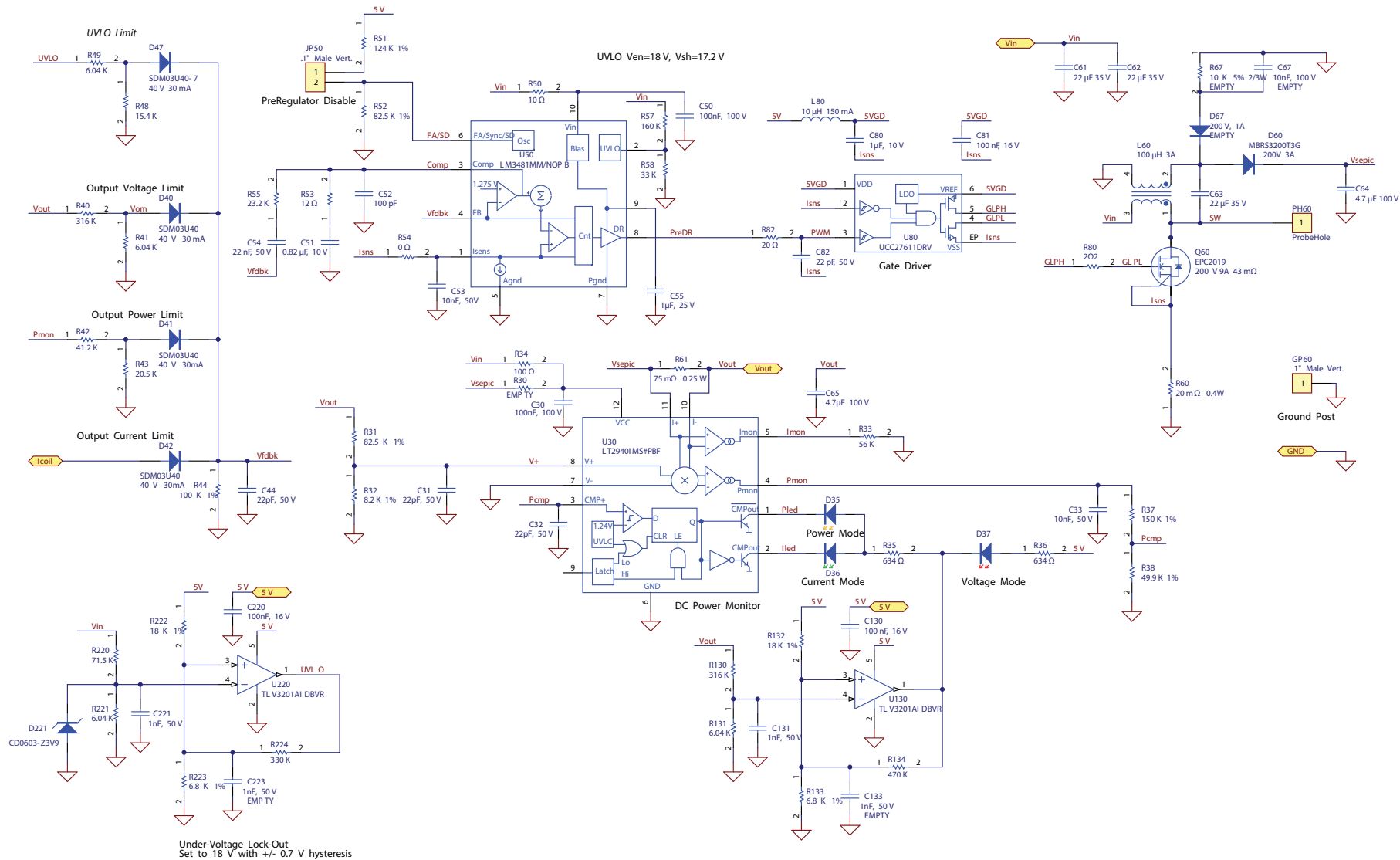


Figure 14: EPC9129 - Pre-regulator schematic for wireless power transfer source.

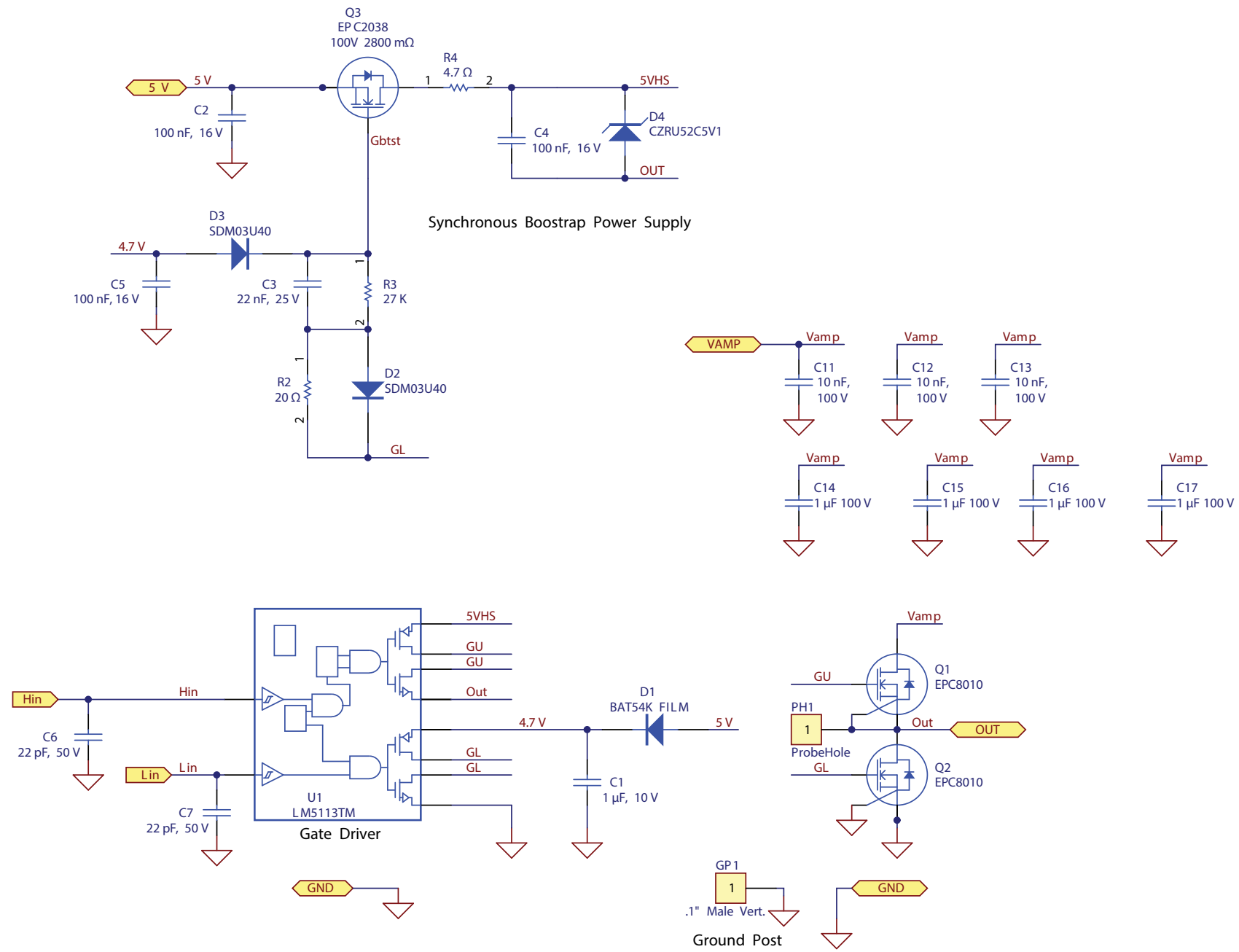


Figure 15: EPC9129 - Gate driver and power devices schematic. This schematic is repeated for each single-ended ZVS class-D amplifier.

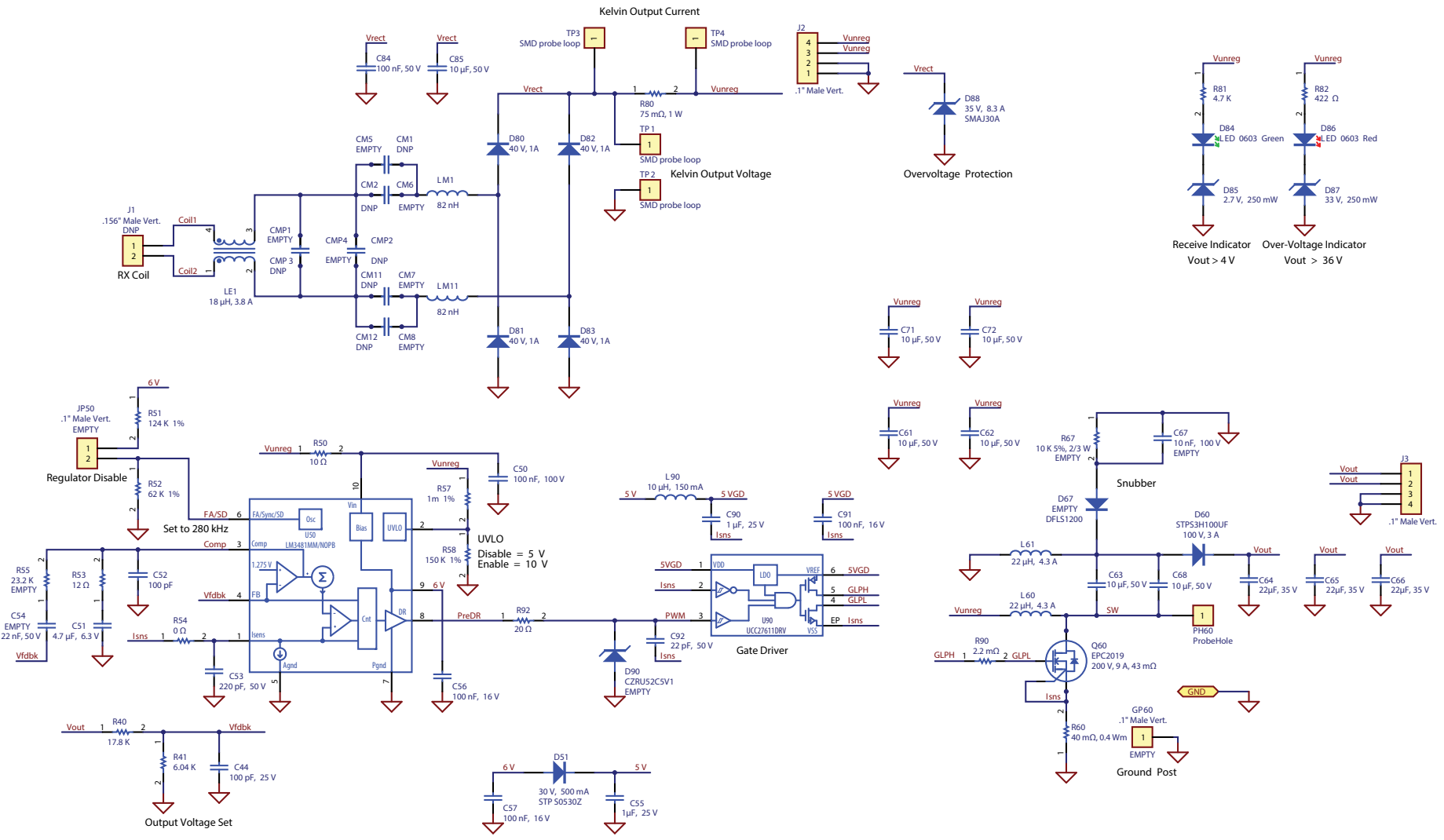


Figure 16: EPC9129 schematic

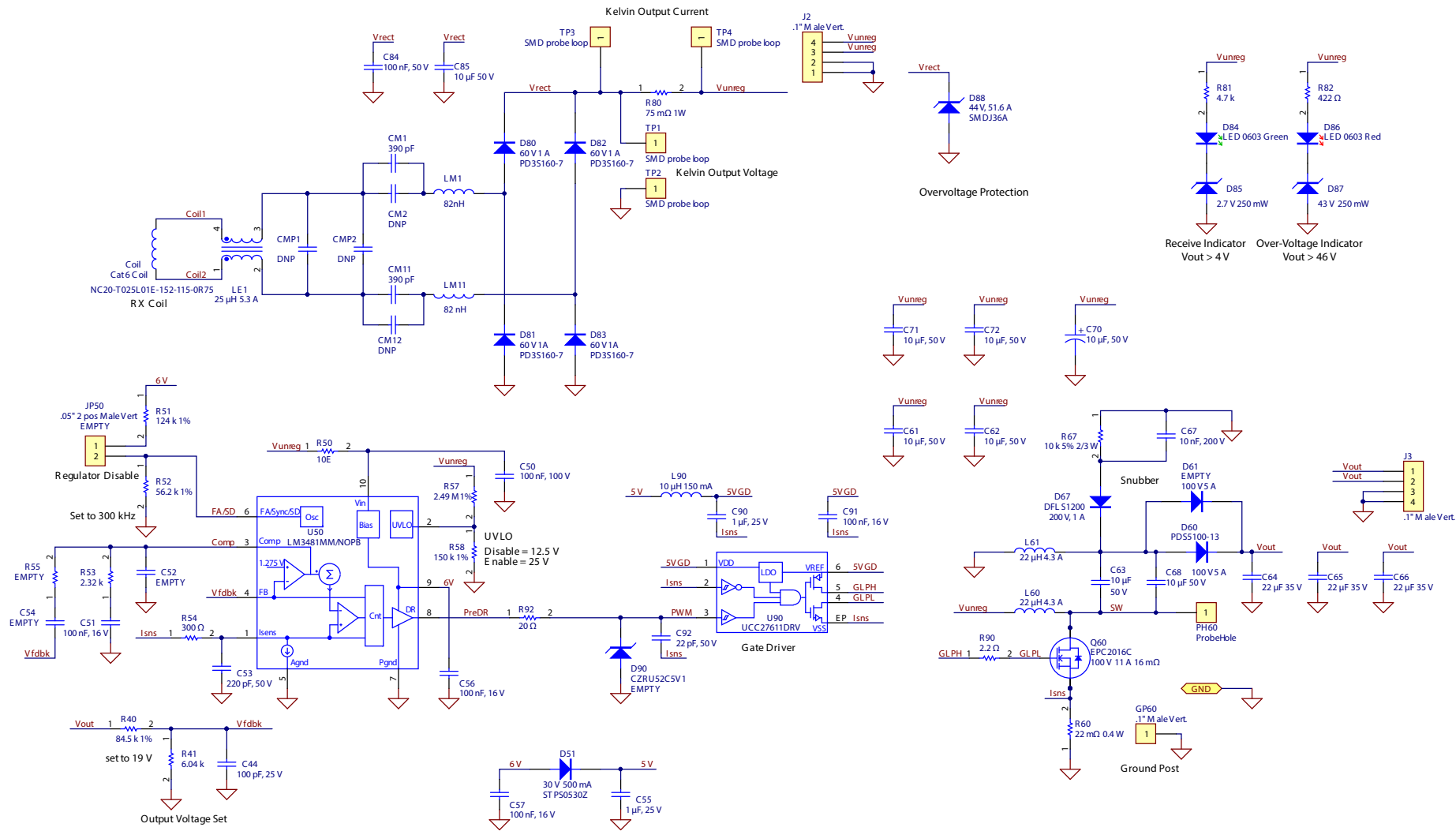


Figure 17: EPC9129 schematic.