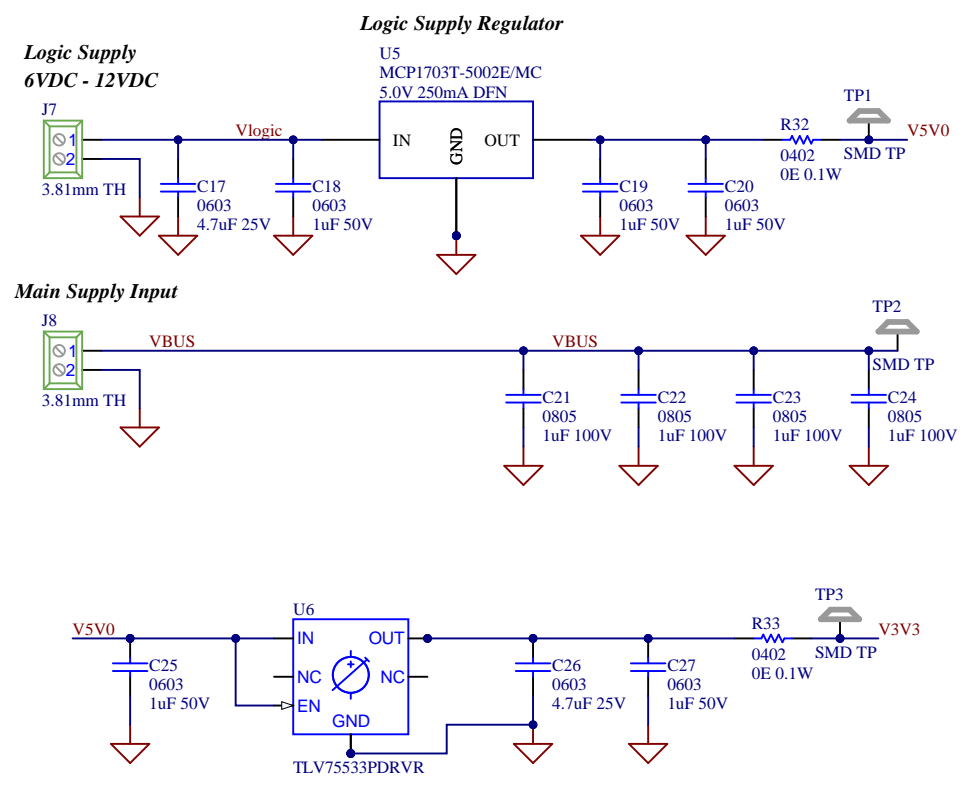


LiDAR Pulse Demonstration Board

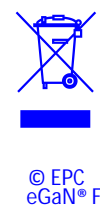
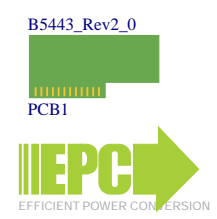
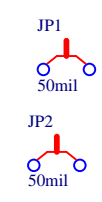
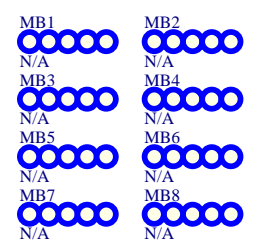
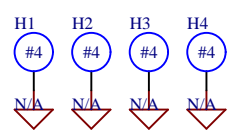
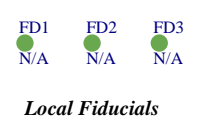
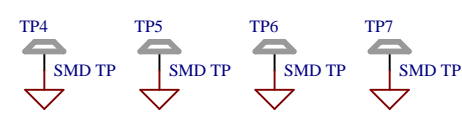
Title EPC9179 B5443 Rev. 1.0		Efficient Power Conversion 909 Sepulveda Blvd. Ste 230 El Segundo, CA 90245 U.S.A. <a href="http://www.epc-co.com">www.epc-co.com</a>	
Size: A	1	Revision: 1	
Date: 9/19/2023	Sheet 1 of 3		
File: EPC9179_B5443_Rev2_0_Driver.SchDoc			

© Copyright EPC 2023





For evaluation only;  
not FCC approved for resale



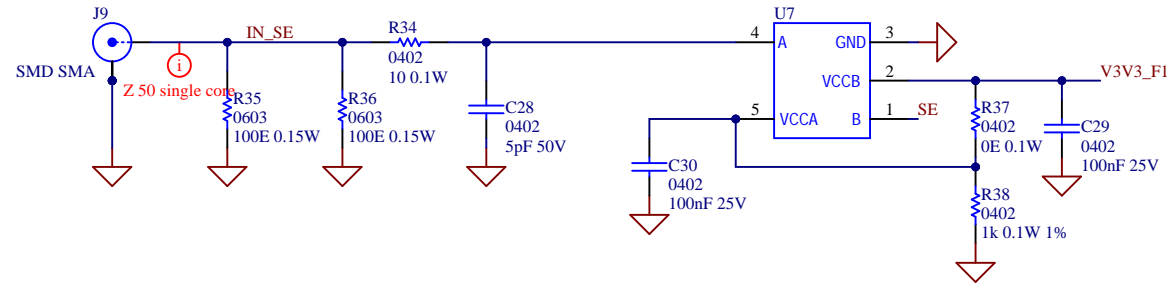
**LiDAR Pulse Demonstration Board**

Title: EPC9179_B5443_Rev2_0.PrjPCB		Efficient Power Conversion 909 Sepulveda Blvd. Ste 230 El Segundo, CA 90245 U.S.A. <a href="http://www.epc-co.com">www.epc-co.com</a>	
Size: A	2	Revision: 1	
Date: 8/25/2023	Sheet 2 of 3		
File: EPC9179_B5443_Rev2_0_PowerMech.SchDoc			

© Copyright EPC 2023

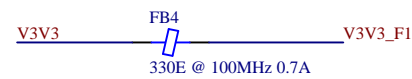
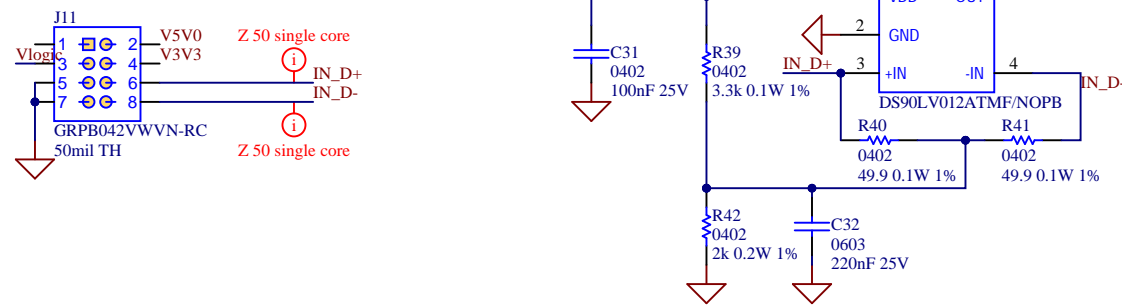
Input pulse processing

Single ended receiver

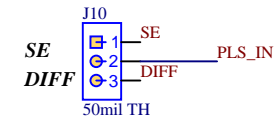


Differential receiver (LVDS, CML, LVPECL)

Optional LVDS/DIFF Input and Power



INPUT SELECT



LiDAR Pulse Demonstration Board

Title EPC9179_B5443_Rev2_0.PrjPCB		Efficient Power Conversion 909 Sepulveda Blvd. Ste 230 El Segundo, CA 90245 U.S.A. <a href="http://www.epc-co.com">www.epc-co.com</a>	
Size: A	3	Revision: 1	
Date: 8/25/2023	Sheet 3 of 3		
File: EPC9179_B5443_Rev2_0_Input.SchDoc			

© Copyright EPC 2023

